

PART NAME

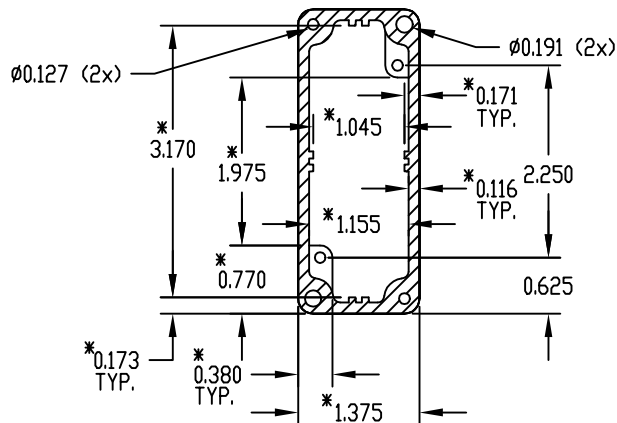
NEMA 4X DIE CAST ALUMINUM ENCLOSURE

PART No.

AN-1300, AN-1300-G, AN-2800 & AN-2800-B

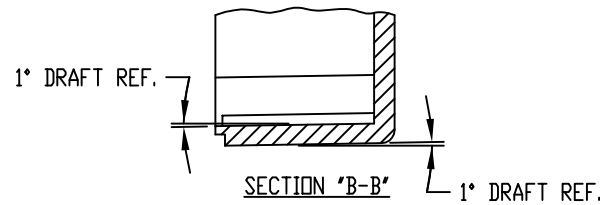
REV. DATE

12-6-07

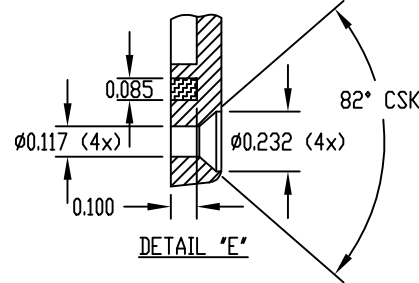


SECTION "C-C"

\* DIMENSIONS ARE AT BOTTOM OF ENCLOSURE



SECTION "B-B"



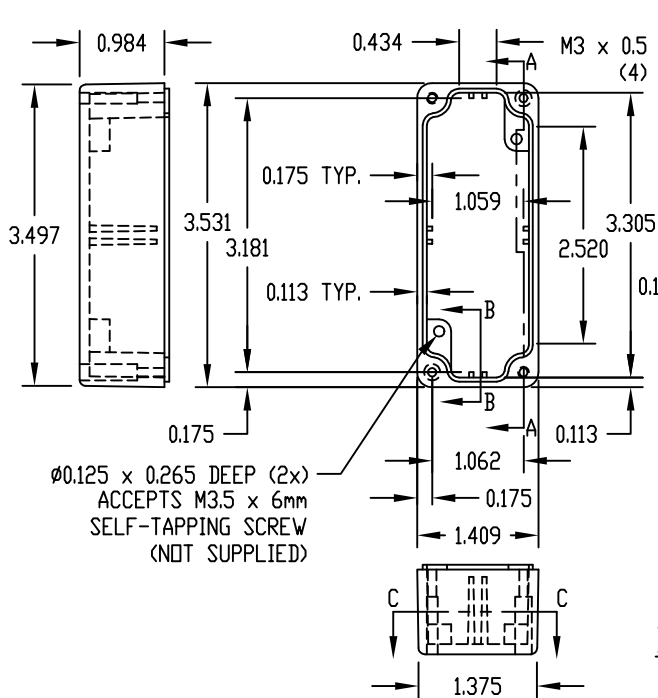
DETAIL "E"

MATERIAL: ALUMINUM ALLOY #ADC-12

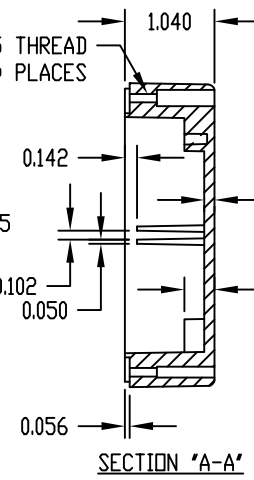
FINISH: NATURAL (NO SUFFIX)  
GRAY (SUFFIX -G)  
SMOOTH BLACK (SUFFIX -B)

NOTES:

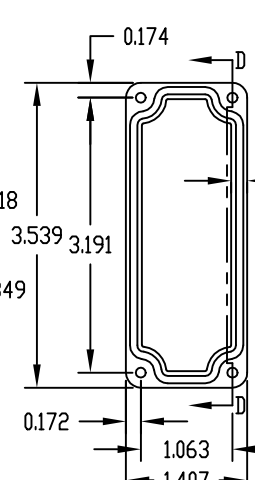
- 1) FOUR (4) M3 x 10mm (0.393") LG. SCREWS SUPPLIED FOR ASSEMBLY OF COVER TO BODY.
- 2) ALL HOLE DIAMETERS HAVE  $\pm 0.005$  TOLERANCE  
ALL OTHER DIMENSIONS HAVE  $\pm 0.015$  TOLERANCE



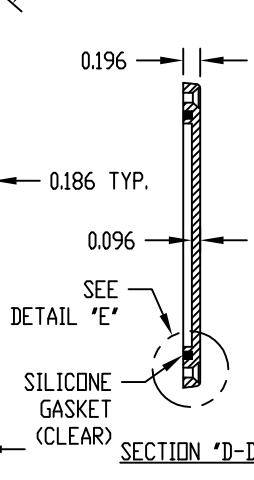
BODY



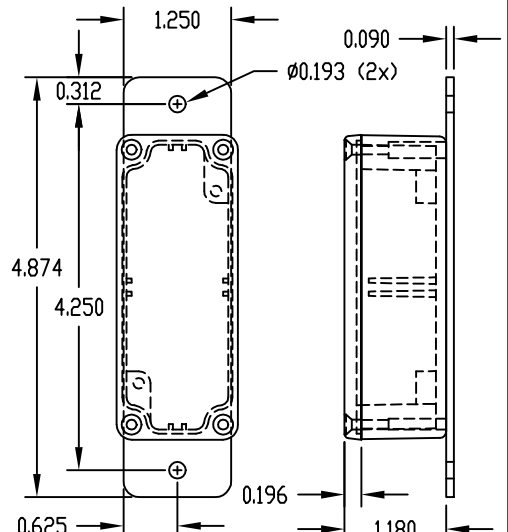
SECTION "A-A"



SECTION "D-D"



SECTION "E-E"



COVER

PART NO. AN-2800 & AN-2800-B ARE SUPPLIED WITH A WELDED ON MOUNTING BRACKET ONLY.